

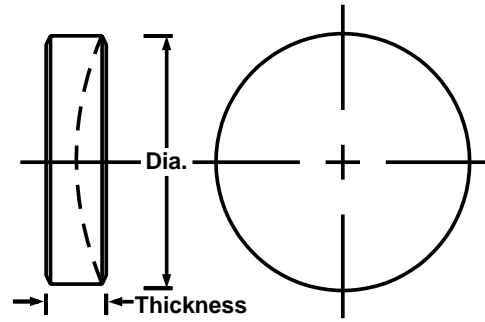
Spherical Mirror Substrates - Plano Concave



(7.75 mm - 15 mm Diameter)

Specifications:

- Material Schlieren grade fused silica
- Surface Quality 10/5
- Surface Accuracy 1/4 @ 632.8nm
- Radius Tolerance ± 1%
- Diameter Tolerance +.000", -.005"
- Thickness Tolerance ± .010"
- Clear Aperture Central 90% of diameter



Diameter x Thickness					
Radius (cm)	7.75mm x 4mm	.500" x .125"	.500" x .250"	.500" x .375"	15mm x 10mm
2.5 cm	MC0-02	MC1-02	MC2-02	MC3-02	MC4-02
5.0 cm	MC0-05	MC1-05	MC2-05	MC3-05	MC4-05
7.5 cm	MC0-07	MC1-07	MC2-07	MC3-07	MC4-07
10.0 cm	MC0-10	MC1-10	MC2-10	MC3-10	MC4-10
15.0 cm	MC0-15	MC1-15	MC2-15	MC3-15	MC4-15
20.0 cm	MC0-20	MC1-20	MC2-20	MC3-20	MC4-20
25.0 cm	MC0-25	MC1-25	MC2-25	MC3-25	MC4-25
30.0 cm	MC0-30	MC1-30	MC2-30	MC3-30	MC4-30
40.0 cm	MC0-40	MC1-40	MC2-40	MC3-40	MC4-40
50.0 cm	MC0-50	MC1-50	MC2-50	MC3-50	MC4-50
60.0 cm	MC0-60	MC1-60	MC2-60	MC3-60	MC4-60
75.0 cm	MC0-75	MC1-75	MC2-75	MC3-75	MC4-75
80.0 cm	MC0-80	MC1-80	MC2-80	MC3-80	MC4-80
90.0 cm	MC0-90	MC1-90	MC2-90	MC3-90	MC4-90

Diameter x Thickness					
Radius (M)	7.75mm x 4mm	.500" x .125"	.500" x .250"	.500" x .375"	15mm x 10mm
1.0 M	MC0-1M	MC1-1M	MC2-1M	MC3-1M	MC4-1M
2.0 M	MC0-2M	MC1-2M	MC2-2M	MC3-2M	MC4-2M
3.0 M	MC0-3M	MC1-3M	MC2-3M	MC3-3M	MC4-3M
4.0 M	MC0-4M	MC1-4M	MC2-4M	MC3-4M	MC4-4M
5.0 M	MC0-5M	MC1-5M	MC2-5M	MC3-5M	MC4-5M
7.0 M	MC0-7M	MC1-7M	MC2-7M	MC3-7M	MC4-7M
8.0 M	MC0-8M	MC1-8M	MC2-8M	MC3-8M	MC4-8M
10.0 M	MC0-9M	MC1-9M	MC2-9M	MC3-9M	MC4-9M

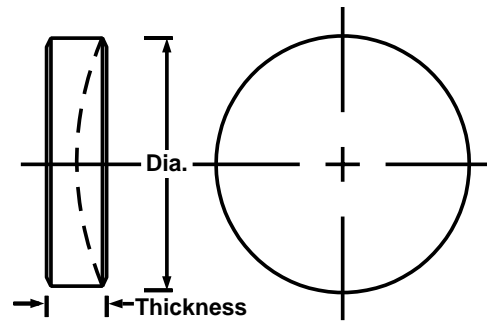
Spherical Mirror Substrates - Plano Concave



(.750" - 1.50" Diameter)

Specifications:

Material Schlieren grade fused silica
 Surface Quality 10/5
 Surface Accuracy 1/4 @ 632.8nm
 Radius Tolerance ± 1%
 Diameter Tolerance + .000", - .005"
 Thickness Tolerance ± .010"
 Clear Aperture Central 90% of diameter



Diameter x Thickness					
Radius (cm)	.750" x .250"	.750" x .375"	1.00" x .250"	1.00" x .375"	1.50" x .375"
2.5 cm	MC5-02	MC6-02	MC7-02	MC8-02	—
5.0 cm	MC5-05	MC6-05	MC7-05	MC8-05	—
7.5 cm	MC5-07	MC6-07	MC7-07	MC8-07	—
10.0 cm	MC5-10	MC6-10	MC7-10	MC8-10	—
15.0 cm	MC5-15	MC6-15	MC7-15	MC8-15	—
20.0 cm	MC5-20	MC6-20	MC7-20	MC8-20	—
25.0 cm	MC5-25	MC6-25	MC7-25	MC8-25	MC9-25
30.0 cm	MC5-30	MC6-30	MC7-30	MC8-30	MC9-30
40.0 cm	MC5-40	MC6-40	MC7-40	MC8-40	MC9-40
50.0 cm	MC5-50	MC6-50	MC7-50	MC8-50	MC9-50
60.0 cm	MC5-60	MC6-60	MC7-60	MC8-60	MC9-60
75.0 cm	MC5-75	MC6-75	MC7-75	MC8-75	MC9-75
80.0 cm	MC5-80	MC6-80	MC7-80	MC8-80	MC9-80
90.0 cm	MC5-90	MC6-90	MC7-90	MC8-90	MC9-90

Diameter x Thickness					
Radius (M)	.750" x .250"	.750" x .375"	1.00" x .250"	1.00" x .375"	1.50" x .375"
1.0 M	MC5-1M	MC6-1M	MC7-1M	MC8-1M	MC9-1M
2.0 M	MC5-2M	MC6-2M	MC7-2M	MC8-2M	MC9-2M
3.0 M	MC5-3M	MC6-3M	MC7-3M	MC8-3M	MC9-3M
4.0 M	MC5-4M	MC6-4M	MC7-4M	MC8-4M	MC9-4M
5.0 M	MC5-5M	MC6-5M	MC7-5M	MC8-5M	MC9-5M
7.0 M	MC5-7M	MC6-7M	MC7-7M	MC8-7M	MC9-7M
8.0 M	MC5-8M	MC6-8M	MC7-8M	MC8-8M	MC9-8M
10.0 M	MC5-9M	MC6-9M	MC7-9M	MC8-9M	MC9-9M

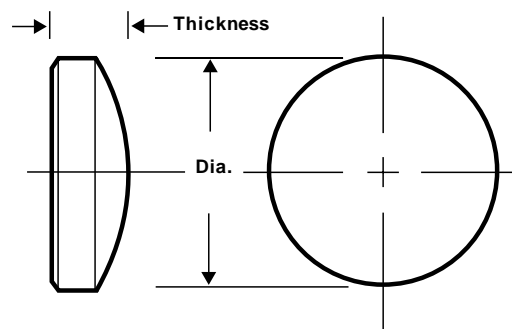
Spherical Mirror Substrates - Plano Convex



(7.75 mm - 15 mm Diameter)

Specifications:

Material Schlieren grade fused silica
 Surface Quality 10/5
 Surface Accuracy 1/4 @ 632.8nm
 Radius Tolerance ± 1%
 Diameter Tolerance + .000", - .005"
 Thickness Tolerance ± .010"
 Clear Aperture Central 90% of diameter



Diameter x Thickness						
Radius (cm)	7.75mm x 4mm	.500" x .125"	.500" x .250"	.500" x .375"	15mm x 10mm	
2.5 cm	MX0-02	MX1-02	MX2-02	MX3-02	MX4-02	
5.0 cm	MX0-05	MX1-05	MX2-05	MX3-05	MX4-05	
7.5 cm	MX0-07	MX1-07	MX2-07	MX3-07	MX4-07	
10.0 cm	MX0-10	MX1-10	MX2-10	MX3-10	MX4-10	
15.0 cm	MX0-15	MX1-15	MX2-15	MX3-15	MX4-15	
20.0 cm	MX0-20	MX1-20	MX2-20	MX3-20	MX4-20	
25.0 cm	MX0-25	MX1-25	MX2-25	MX3-25	MX4-25	
30.0 cm	MX0-30	MX1-30	MX2-30	MX3-30	MX4-30	
40.0 cm	MX0-40	MX1-40	MX2-40	MX3-40	MX4-40	
50.0 cm	MX0-50	MX1-50	MX2-50	MX3-50	MX4-50	
60.0 cm	MX0-60	MX1-60	MX2-60	MX3-60	MX4-60	
75.0 cm	MX0-75	MX1-75	MX2-75	MX3-75	MX4-75	
80.0 cm	MX0-80	MX1-80	MX2-80	MX3-80	MX4-80	
90.0 cm	MX0-90	MX1-90	MX2-90	MX3-90	MX4-90	

Diameter x Thickness						
Radius (M)	7.75mm x 4mm	.500" x .125"	.500" x .250"	.500" x .375"	15mm x 10mm	
1.0 M	MX0-1M	MX1-1M	MX2-1M	MX3-1M	MX4-1M	
2.0 M	MX0-2M	MX1-2M	MX2-2M	MX3-2M	MX4-2M	
3.0 M	MX0-3M	MX1-3M	MX2-3M	MX3-3M	MX4-3M	
4.0 M	MX0-4M	MX1-4M	MX2-4M	MX3-4M	MX4-4M	
5.0 M	MX0-5M	MX1-5M	MX2-5M	MX3-5M	MX4-5M	
7.0 M	MX0-7M	MX1-7M	MX2-7M	MX3-7M	MX4-7M	
8.0 M	MX0-8M	MX1-8M	MX2-8M	MX3-8M	MX4-8M	
10.0 M	MX0-9M	MX1-9M	MX2-9M	MX3-9M	MX4-9M	

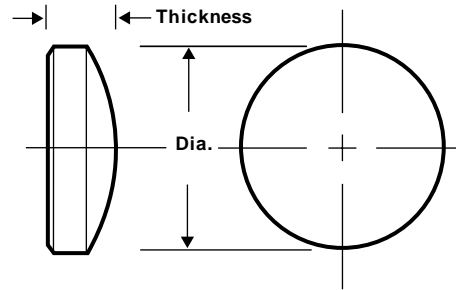
Spherical Mirror Substrates - Plano Convex



(.750" - 1.50" Diameter)

Specifications:

- Material Schlieren grade fused silica
- Surface Quality 10/5
- Surface Accuracy 1/4 @ 632.8nm
- Radius Tolerance ± 1%
- Diameter Tolerance + .000", - .005"
- Thickness Tolerance ± .010"
- Clear Aperture Central 90% of diameter



Diameter x Thickness					
Radius (cm)	.750"x.250"	.750" x .375"	1.00" x .250"	1.00" x .375"	1.50" x .375"
2.5 cm	MX5-02	MX6-02	MX7-02	MX8-02	—
5.0 cm	MX5-05	MX6-05	MX7-05	MX8-05	—
7.5 cm	MX5-07	MX6-07	MX7-07	MX8-07	—
10.0 cm	MX5-10	MX6-10	MX7-10	MX8-10	—
15.0 cm	MX5-15	MX6-15	MX7-15	MX8-15	—
20.0 cm	MX5-20	MX6-20	MX7-20	MX8-20	—
25.0 cm	MX5-25	MX6-25	MX7-25	MX8-25	MX9-25
30.0 cm	MX5-30	MX6-30	MX7-30	MX8-30	MX9-30
40.0 cm	MX5-40	MX6-40	MX7-40	MX8-40	MX9-40
50.0 cm	MX5-50	MX6-50	MX7-50	MX8-50	MX9-50
60.0 cm	MX5-60	MX6-60	MX7-60	MX8-60	MX9-60
75.0 cm	MX5-75	MX6-75	MX7-75	MX8-75	MX9-75
80.0 cm	MX5-80	MX6-80	MX7-80	MX8-80	MX9-80
90.0 cm	MX5-90	MX6-90	MX7-90	MX8-90	MX9-90

Diameter x Thickness					
Radius (M)	.750"x.250"	.750" x .375"	1.00" x .250"	1.00" x .375"	1.50" x .375"
1.0 M	MX5-1M	MX6-1M	MX7-1M	MX8-1M	MX9-1M
2.0 M	MX5-2M	MX6-2M	MX7-2M	MX8-2M	MX9-2M
3.0 M	MX5-3M	MX6-3M	MX7-3M	MX8-3M	MX9-3M
4.0 M	MX5-4M	MX6-4M	MX7-4M	MX8-4M	MX9-4M
5.0 M	MX5-5M	MX6-5M	MX7-5M	MX8-5M	MX9-5M
7.0 M	MX5-7M	MX6-7M	MX7-7M	MX8-7M	MX9-7M
8.0 M	MX5-8M	MX6-8M	MX7-8M	MX8-8M	MX9-8M
10.0 M	MX5-9M	MX6-9M	MX7-9M	MX8-9M	MX9-9M